

CLONELAB ASSEMBLY INSTRUCTIONS



www.everestgardensupply.com

1



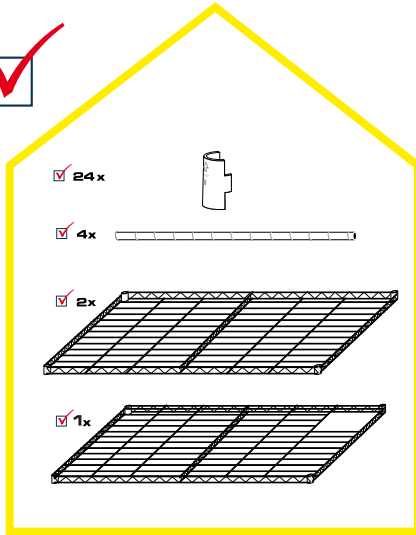
no tools



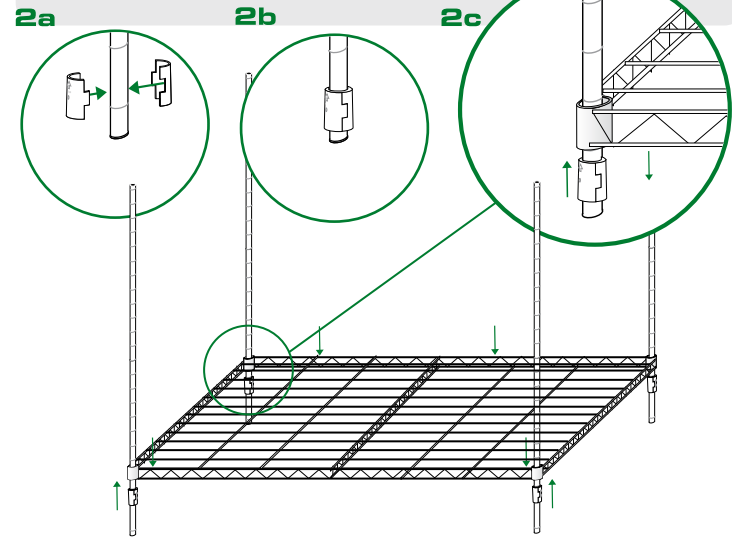
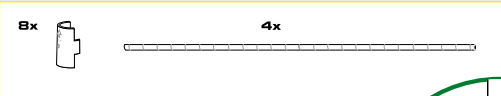
max weight
per shelf: 165 lb



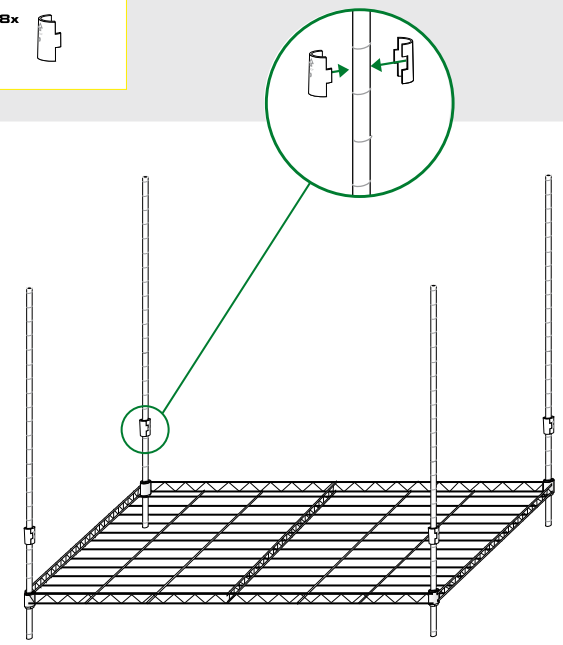
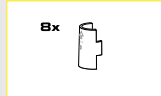
washable



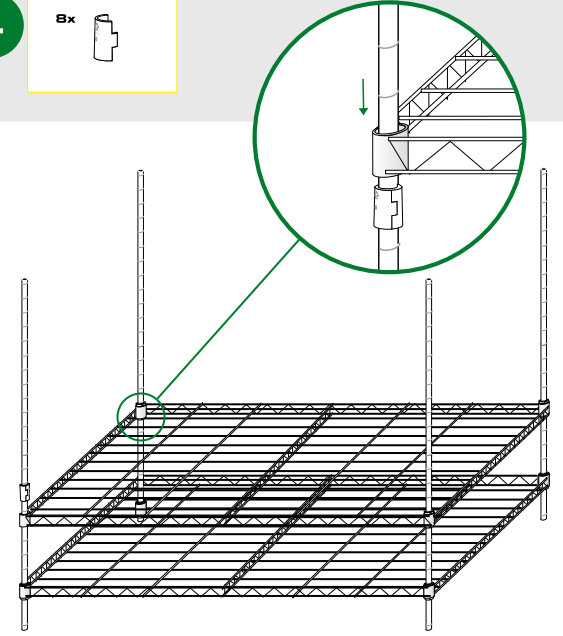
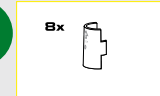
2



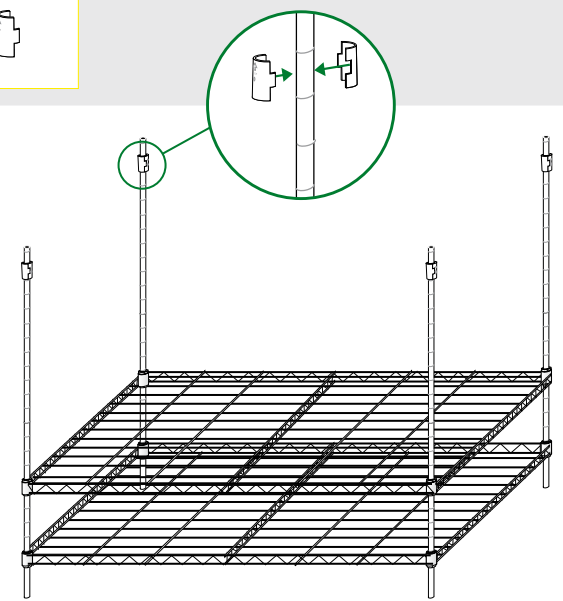
3



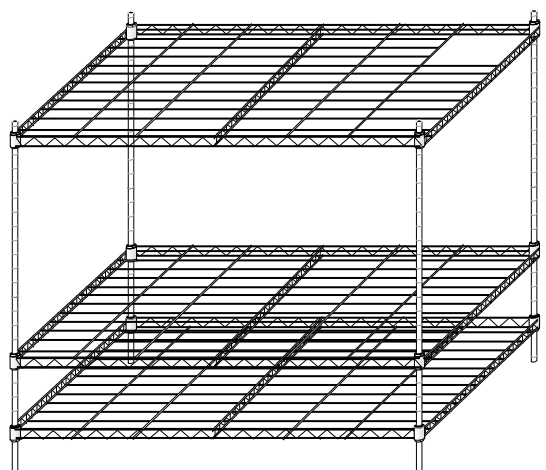
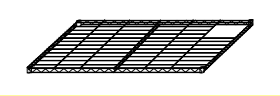
4



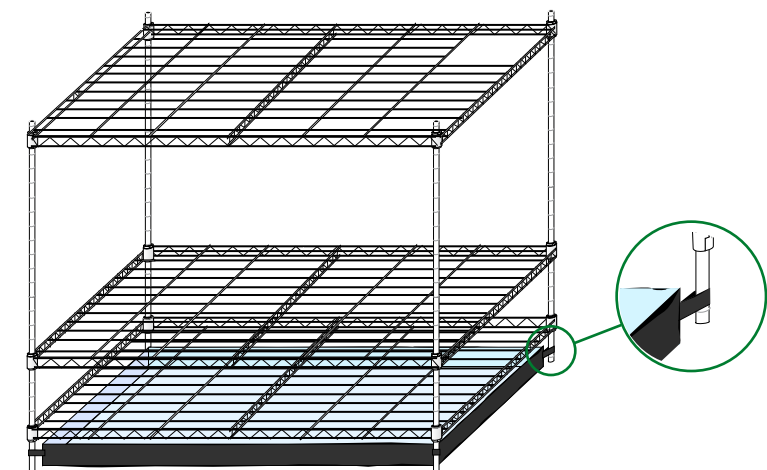
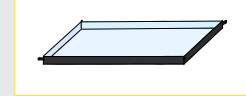
5



6



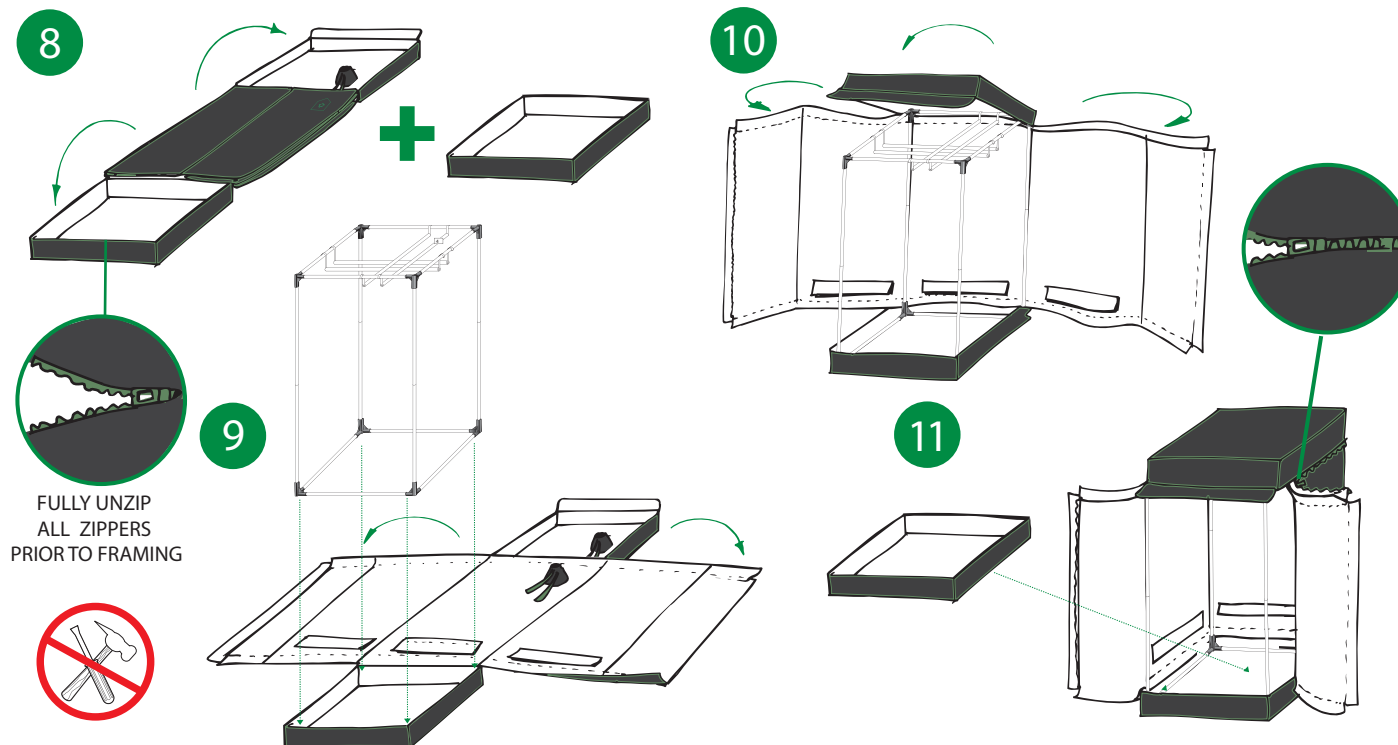
7



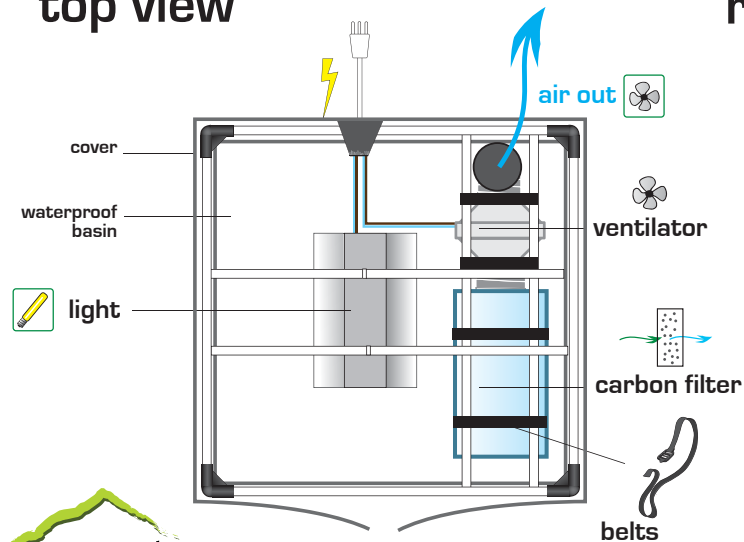
available sizes:

GL 40	1'4"	x	1'4"	x	3'11"
GL 60	2'	x	2'	x	5'3"
GL 80	2'7"	x	2'7"	x	5'11"
GL 80L	2'7"	x	4'11"	x	6'7"
GL 120	3'11"	x	3'11"	x	6'7"
GL 145	4'9"	x	4'9"	x	6'7"
GL 120L	3'11"	x	7'11"	x	6'7"
GL 145L	4'9"	x	9'6"	x	6'7"
GL 240	7'11"	x	7'11"	x	6'7"
GL 290	9'6"	x	9'6"	x	6'7"
CloneLAB	2'1"	x	4'1"	x	3'11"

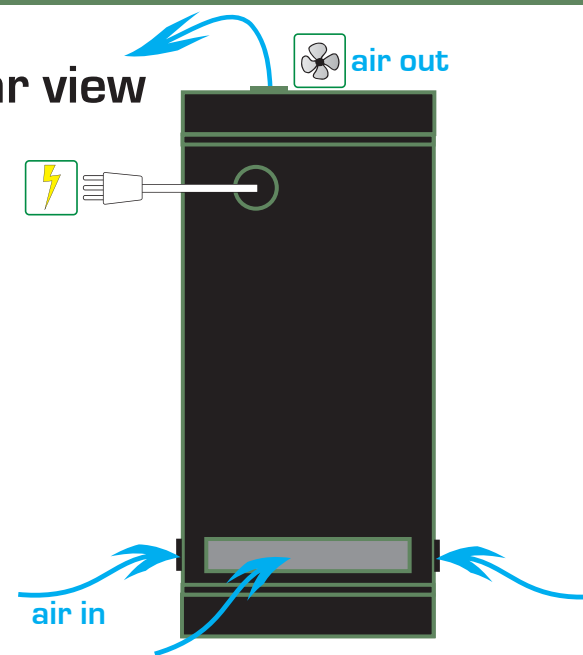
made exclusively for
GROWLAB by HOMEBox



top view



rear view



everest
GARDEN SUPPLY

EVEREST GARDEN SUPPLY

PO Box 6006 Santa Rosa, CA 95406

tel: (888) EGS-2007

fax: (707) 456-0192

www.everestgardensupply.com



THE GROWLAB

Assembly Instructions